

KATALOG

proizvoda za kuhinje i kupatila



CATALOGUE

kitchen and bathroom products



Kompanija Metalac a.d. je javno akcionarsko društvo sa 14 zavisnih društava: pet proizvodnih, pet trgovinskih na domaćem i četiri trgovinska društva u inostranstvu – u Rusiji, Ukrajini, Hrvatskoj i Crnoj Gori.

Od osnivanja 1959. godine sedište kompanije je u Gornjem Milanovcu, gde se nalaze i sva proizvodna društva. Iako je pre svega prepoznatljiv po posuđu, kao jedan od najvećih i najuspešnijih proizvođača u Evropi, Metalac je tokom godina proširio svoj proizvodni program, koji danas obuhvata i bojlere, inox i granitne sudopere, Granmatrix kompozitni materijal, kartonsku ambalažu i preslikače za posuđe.

Septembra 2015. godine Metalac je postao većinski vlasnik preduzeća za proizvodnju

automobilskih delova FAD, najvećeg proizvođača delova za upravljanje i oslanjanje motornih vozila na prostoru bivše Jugoslavije.

Metalac izvozi svoje proizvode, pre svega posuđe, u preko 25 zemalja sveta, i to u tržišta u okruženju, zemlje Evropske unije, Rusiju, Ukrajinu... sve do SAD-a, Japana i Australije.

Metalac a.d. je integrisao sisteme upravljanja kvalitetom i zaštitom životne sredine što potvrđuju TÜV sertifikati ISO 9001 i ISO 14001. Sertifikate QMS/EMS imaju i sva proizvodna preduzeća koja posluju u okviru Metalac grupe. Kompanija je izuzetno posvećena svim aspektima održivog razvoja.

U kompaniji je zaposleno oko 2.000 ljudi.

Metalac company was founded in 1959 in Gornji Milanovac. Today, Metalac is an open joint-stock company with 14 companies – five production, five trading companies in the domestic market and four abroad – in Russia, Ukraine, Croatia and Montenegro.

Although primarily known for cookware, as one of the largest and most successful manufacturers in Europe, Metalac has over the years expanded its product range, which now includes water heaters, stainless steel and granite sinks, Granmatrix composite materials, cardboard boxes and decals for pottery.

In September 2015 Metalac became the owner of "FAD", the company that produces automobile parts. FAD is the largest producer of parts for

steering and suspension of vehicles on the territory of ex Yugoslavia.

Metalac exports its products (primarily cookware) to over 25 countries worldwide, mainly in the surrounding markets, countries of the European Union, Russia, Ukraine... all the way to U.S.A, Australia and Japan.

Metalac has integrated the ISO quality management and environmental management systems, as evidenced by TÜV ISO 9001 and ISO 14001 certificates. QMS/EMS certificates have all the production companies within the Metalac group. The company is very dedicated to all aspects of sustainable development.

Metalac employs around 2,000 people.



KATALOG PROIZVODA

- Bojleri srednjih litraža
- Bojleri velikih litraža
- Malolitražni bojler
- Hidroforske posude
- Slavine AQUABI

Metalac bojler je najmlađe preduzeće u okviru Metalac grupe iz Gornjeg Milanovca. Osnovano je 2006. godine i bavi se proizvodnjom bojlera za rezidencijalne i komercijalne korisnike.

Preko šesdeset godina iskustva u tehnologiji površinske zaštite emajliranjem i više od četiri decenije iskustva u proizvodnji ključnih komponenti bojlera, opredelili su kompaniju Metalac da od 2006. godine otpočne proizvodnju bojlera pod sopstvenom robnom markom „Metalac bojler“, od kada kreće i samostalan nastup na tržištu. 2008. godine kompanija započinje izgradnju novih proizvodnih pogona puštenih u rad 2009. godine. Proizvodni kapacitet novoizgrađene fabrike

je 230 hiljada jedinica godišnje. Od osnivanja, Metalac bojler postepeno širi svoju tržišnu mrežu. Trenutno su bojleri Metalac prisutni u više od četiristo prodajnih mesta širom Srbije, od čega u više od sedamdesetosam objekata Metalčevog maloprodajnog lanca. Pored domaćeg tržišta, bojleri Metalac uspešno se prodaju na tržištima zemalja potpisnica CEFTA sporazuma, na tržištu EU, kao i u Rusiji i Ukrajini.

PRODUCT CATALOGUE

- Storage Water Heaters
- Large Capacity Water Heaters
- Small Capacity Water Heaters
- Hydrophore Tanks
- AQUABI faucets

Metalac Bojler is the youngest company within the Metalac Group from Gornji Milanovac. Founded in 2006, it deals with the production of water heaters for residential and commercial customers.

Over sixty years of experience in the technology of enamel surface treatment, and more than four decades of experience in the production of key components for the water heater, have orientated the Metalac company to decide to launch, in the year 2006, the production of water heaters, under its own brand name "Metalac Bojler", since when it started to independently appear in the market. In the year 2008, the company began building a new production plant

that was put into operation in 2009. Since foundation, Metalac Bojler has been gradually expanding its market network. Currently, Metalac water heaters are present in more than four hundred sales outlets throughout Serbia, of which more than seventyeight facilities belong to Metalac retail chain. Besides the national market, Metalac water heaters are successfully sold in the markets of CEFTA member states, the EU market, as well as in Russia and Ukraine.



Metalac

ASORTIMAN / ASSORTMENT

BOJLERI SREDNJIH LITRAŽA / STORAGE WATER HEATERS



MB STANDARD / MB STANDARD Ø 395 mm

Zapremina / Volume (l)	30	50	80
Visina / Height (mm)	504	704	1004

EMAJLIRANI KAZAN / ENAMELLED TANK



MB STANDARD / MB STANDARD Ø 395 mm

Zapremina / Volume (l)	30	50	80
Visina / Height (mm)	504	704	1004

INOX KAZAN / STAINLESS STEEL TANK



MB PRAKTIK / MB PRACTIC Ø 454 mm

Zapremina / Volume (l)	50	80	100	120
Visina / Height (mm)	591	811	951	1091

EMAJLIRANI KAZAN / ENAMELLED TANK



MB PRAKTIK / MB PRACTIC Ø 454 mm

Zapremina / Volume (l)	50	80	100	120
Visina / Height (mm)	591	811	951	1091

INOX KAZAN / STAINLESS STEEL TANK



MB HORIZONTALNI / MB HORIZONTAL Ø 395 mm

Zapremina / Volume (l)	80
Visina / Height (mm)	1004

EMAJLIRANI KAZAN / ENAMELLED TANK



MB SLIM / MB SLIM Ø 354 mm

Zapremina / Volume (l)	30	50	80
Visina / Height (mm)	535	785	1135

EMAJLIRANI I INOX KAZAN / ENAMELLED AND STAINLESS STEEL TANK



MB KOMBINOVANI / MB COMBY Ø 454 mm

Zapremina / Volume (l)	80	120
Visina / Height (mm)	811	1091

EMAJLIRANI KAZAN / ENAMELLED TANK



MB KOMBINOVANI / MB COMBY Ø 454 mm

Zapremina / Volume (l)	80	120
Visina / Height (mm)	811	1091

INOX KAZAN / STAINLESS STEEL TANK

KlassA



MB KLASSA SG / MB KLASSA Ø 454 mm

Zapremina / Volume (l)	50	80
Visina / Height (mm)	640	860

EMAJLIRANI KAZAN / ENAMELLED TANK

BOJLERI MALIH LITRAŽA / SMALL CAPACITY WATER HEATERS



BESPRITISNI /
FLOW-THROUGH



PRITISNI /
UNDER-PRESSURE

BESPRITISNI /
FLOW-THROUGH

MB MINI / MB MINI

Zapremina / Volume (l)	5	10
Visina / Height (mm)	406	480
Širina / Height (mm)	274	326

POLIPROPILENSKI KAZAN / POLYPROPYLENE TANK

MB MINI / MB MINI

Zapremina / Volume (l)	8
Visina / Height (mm)	396
Širina / Height (mm)	274

EMAJLIRANI I INOX KAZAN / ENAMELLED AND STAINLESS STEEL TANK

BOJLERI VELIKIH LITRAŽA / LARGE CAPACITY WATER HEATERS



VELIKE LITRAŽE / LARGE CAPACITY W.H. Ø 600 mm

Zapremina / Volume (l)	200	300
Visina / Height (mm)	1260	1770

INOX KAZAN / STAINLESS STEEL TANK

BOJLERI SREDNJIH LITRAŽA STORAGE WATER HEATERS

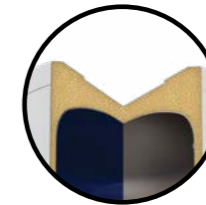


KLJUČNE KARAKTERISTIKE

MAIN FEATURES

01. KVALITETAN KAZAN

Kazani bojlera Metalac imaju prevlaku od emajla, koji štiti kazan od korozije i obezbeđuje visok nivo higijene vode. U proizvodnji bojlera primenjuje se elektrostatički i mokri postupak nanosa emajla, čime se postiže ravnomernost nanosa prema propisanim standardima. Bojleri Metalac dostupni su i u varijanti sa kazanom od nerđajućeg čelika (inox), koji pruža maksimalnu zaštitu od korozije.

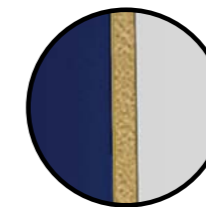


01. HIGH QUALITY TANK

Metalac water heater tanks have enamel coating, which protects against corrosion and provides high level of water hygiene. In the production process electrostatic and wet process of enameling is applied, which secures even coating, according to standards. Metalac water heaters are also available in versions with stainless steel tank, which provides maximum protection against corrosion.

02. POLIURETANSKA IZOLACIJA

Bojleri Metalac imaju izolaciju od kvalitetne, ekološki bezbedne poliuretanske pene, debljine 17 do 40 mm. Poliuretanska pena obezbeđuje minimalne toplotne gubitke i uštedu u potrošnji električne energije.

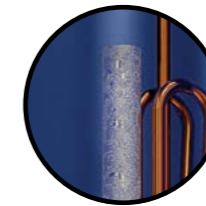


02. POLYURETHANE INSULATION

Metalac water heaters have insulation of high quality, environmentally friendly polyurethane foam, thickness 17 to 40 mm. Polyurethane foam provides minimum heat loss and energy savings.

03. Mg ANODA

U svaki bojler srednje litraže je ugrađena Mg anoda koja obezbeđuje višegodišnju zaštitu kazana od korozije. Mg anoda je smeštena u donjem delu kazana, što omogućuje njenu jednostavnu zamenu.



03. Mg ANODE

Metalac water heaters are fitted with Mg anode that provides long-lasting protection against corrosion. Mg anode is placed in the bottom part of the water heater, which allows its easy replacement.

04. SIGURNOSNI VENTIL

Uz svaki bojler srednje litraže isporučujemo sigurnosni ventil, čija je osnovna funkcija da onemogući da se u kazanu bojlera pojavi preveliki pritisak usled zagrevanja vode. Naši bojleri projektovani su za radni pritisak 0,6 MPa (6 bara), a u serijskoj proizvodnji se testiraju na 1,2 MPa (12 bara).



04. SAFETY VALVE

Metalac water heaters are supplied with safety valve, whose primary function is to prevent high pressure due to water heating. Our water heaters are designed for a working pressure of 0.6 MPa (6 bar), and tested at 1.2 MPa (12 bar).

05. UNIVERZALNI NOSAČ

Zahvaljujući širokom rasponu za kačenje od 130 do 360 mm, koji odgovara većini bojlera na tržištu, univerzalni nosač omogućuje jednostavnu montažu u slučaju zamene bojlera. Na ovaj način izbegava se bušenje dodatnih rupa u kupatilu.



05. UNIVERSAL BRACKET

Thanks to the wide attaching span (130 to 360 mm), which corresponds to most of the water heaters in the market, universal bracket allows easy mounting in case of replacement of the water heater. In this way, you avoid drilling extra holes in bathroom.

06. TERMOREGULACIJA

Bojleri srednje litraže Metalac dostupni su u dve varijante – sa unutrašnjom i spoljašnjom regulacijom temperature. Bojleri sa unutrašnjom regulacijom podešeni su da zagrevaju vodu do 55-60 °C, što je optimalna temperatura sa aspekta uštede električne energije i stvaranja kamenca.

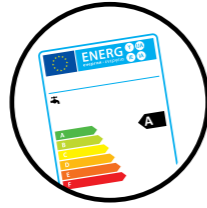


06. THERMOREGULATION

Metalac storage water heaters are available in two versions – with internal and external temperature control. Water heaters with internal control are configured to heat the water up to 55-60 °C, which is an optimal temperature in terms of energy savings and scale formation.

07. ENERGETSKA EFIKASNOST

Metalac boiler ispunjava sve zahteve i direktive u pogledu energetske efikasnosti i ima visoku energetska ocenu. Bojleri srednje litraže imaju energetska razred C, a malolitražni imaju energetska razred A.

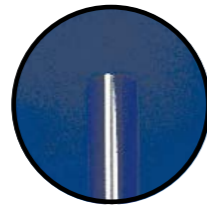


07. ENERGY EFFICIENCY

Metalac Boiler meets all requirements and directives in terms of energy efficiency and has a high energy rating. Medium liters have an energy class C, while the malolitražni ones have energy class A.

08. INOX IZLIVNA CEV

Eliminiše sve primedbe u vezi nedostatka tople vode u toku eksploatacije bojlera.



08. HOT WATER PIPE FROM STAINLESS STEEL

It removes all remarks about the lack of hot water during the boiler exploitation.

KAKO IZABRATI BOJLER / HOW TO CHOOSE A WATER HEATER

Količina tople vode **40°C** u odnosu na kapacitet bojlera

Quantity of hot water **40°C** in relation to volume

Kapacitet / Volume (lit)

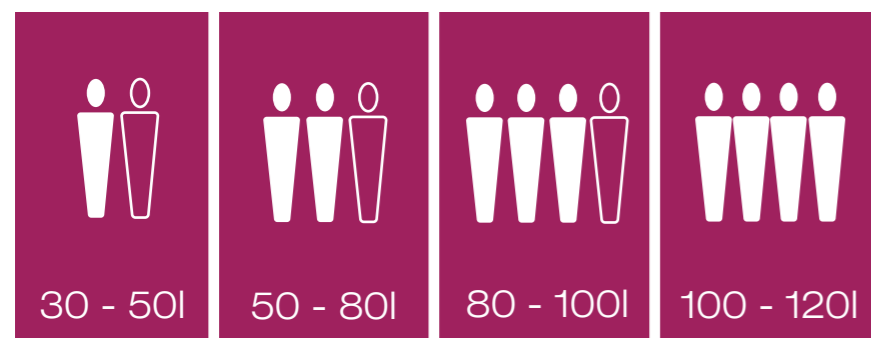
30	50	80	100	120
----	----	----	-----	-----

Raspoloživost tople vode / Quantity of hot water (lit)

50	95	145	195	225
----	----	-----	-----	-----

Za tuširanje se u proseku potroši **25-30** litara vode zagrejane na **40°C**

Showering on average consumes about **25-30** litres of hot water at **40°C**



30 - 50l

50 - 80l

80 - 100l

100 - 120l



MB STANDARD / MB STANDARD

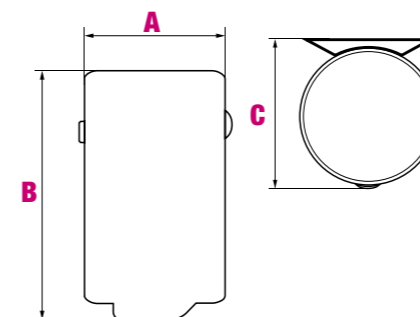
Emajlirani kazan / Enamelled tank

radna zapremina / volume (lit)	30	50	80
snaga el. grejača / power (kW)	2	2	2
napon / voltage (V)	230	230	230
pritisak / pressure (MPa)	0,6	0,6	0,6
instalacija / installation	↑	↑	↑
priključak za vodu / water connector (")	G1/2	G1/2	G1/2
vreme zagrevanja na 75 °C / warm-up time of water at 75°C (min)	65	115	185
količina mešane vode na 40 °C / amount of available mixed water at 40°C (lit)	cca 49	cca 95	cca 145



KARAKTERISTIKE / FEATURES

- 1 Univerzalni nosač / Universal bracket
- 2 Sigurnosni ventil / Safety valve
- 3 Inox izlivna cev za toplu vodu / Hot water (outlet) pipe made from stainless steel
- 4 Mg anoda za zaštitu kazana od korozije / Mg anode for protection against corrosion
- 5 Poliuretanska izolacija / Polyurethane insulation



Dimenzije / Dimensions (mm)

	30	50	80
A	395	395	395
B	504	704	1004
C	415	415	415

Dostupni u varijantama sa unutrašnjom i spoljašnjom regulacijom temperature vode / Available in versions with internal and external water temperature regulation

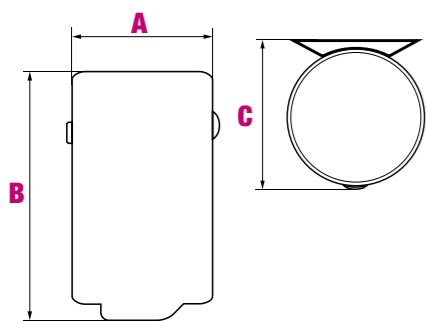
kg	Težina upakovanog proizvoda / Weight of packed product		
Emajlirani kazan / Enamelled tank	30	50	80
	17,9	24,5	32,6

radna zapremina / volume (lit)	30	50	80
snaga el. grejača / power (kW)	2	2	2
napon / voltage (V)	230	230	230
pritisak / pressure (MPa)	0,6	0,6	0,6
instalacija / installation	↑	↑	↑
priključak za vodu / water connector (")	G1/2	G1/2	G1/2
vreme zagrevanja na 75 °C / warm-up time of water at 75°C (min)	65	115	185
količina mešane vode na 40 °C / amount of available mixed water at 40°C (lit)	cca 49	cca 95	cca 145



**KARAKTERISTIKE
FEATURES**

- 1 Regulacija temperature pomoću dva odvojena termostata (radni i sigurnosni)
Temperature regulation with two separate thermostats (operating and safety)
- 2 Brza i laka demontaža zaštitne kape
Easy and fast demounting of protection cap
- 3 Eliptični otvor na priborici obezbeđuje brzo i lako čišćenje kazana
Elliptical flange provides quick and easy cleaning of tank
- 4 Univerzalni nosač
Universal bracket
- 5 Sigurnosni ventil
Safety valve
- 6 Inox izliva cev za toplu vodu
Hot water (outlet) pipe made from stainless steel
- 7 Mg anoda za zaštitu kazana od korozije
Mg anode for protection against corrosion
- 8 Poliuretanska izolacija
Polyurethane insulation

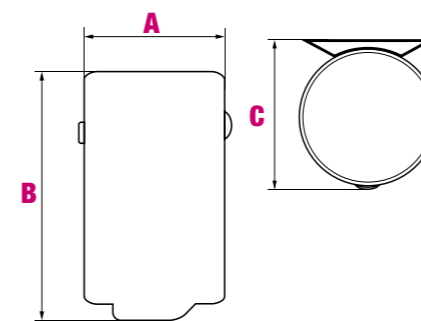


Dimenzije / Dimensions (mm)

	30	50	80
A	395	395	395
B	504	704	1004
C	415	415	415

kg	30	50	80
Težina upakovanog proizvoda / Weight of packed product	12,6	16,2	21,6

radna zapremina / volume (lit)	80
snaga el. grejača / power (kW)	2
napon / voltage (V)	230
pritisak / pressure (MPa)	0,6
instalacija / installation	↑
priključak za vodu / water connector (")	G1/2
vreme zagrevanja na 75 °C / warm-up time of water at 75°C (min)	175
količina mešane vode na 40 °C / amount of available mixed water at 40°C (lit)	cca 145



Dimenzije / Dimensions (mm)

	80
A	395
B	1004
C	415

kg	80
Težina upakovanog proizvoda / Weight of packed product	21,6

**KARAKTERISTIKE
FEATURES**

- 1 Regulacija temperature pomoću dva odvojena termostata (radni i sigurnosni)
Temperature regulation with two separate thermostats (operating and safety)
- 2 Brza i laka demontaža zaštitne kape
Easy and fast demounting of protection cap
- 3 Eliptični otvor na priborici obezbeđuje brzo i lako čišćenje kazana
Elliptical flange provides quick and easy cleaning of tank
- 4 Univerzalni nosač
Universal bracket
- 5 Sigurnosni ventil
Safety valve
- 6 Inox izliva cev za toplu vodu
Hot water (outlet) pipe made from stainless steel
- 7 Mg anoda za zaštitu kazana od korozije
Mg anode for protection against corrosion
- 8 Poliuretanska izolacija
Polyurethane insulation
- 9 Suvi grejač
Dry heater

**PREDNOSTI
ADVANTAGES**

- Suvi grejač od 2 kW
2 kW dry heater
- Brza i laka zamena suvog grejača bez pražnjenja bojlera
Fast and easy replacement of dry heater without draining the water heater
- Manje izdvajanje kamenca u toku eksploatacije
Lower allocation of limescale

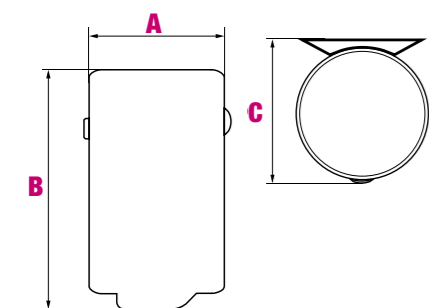
radna zapremina / volume (lit)	50	80	100	120
snaga el. grejača / power (kW)	2	2	2	2
napon / voltage (V)	230	230	230	230
pritisak / pressure (MPa)	0,6	0,6	0,6	0,6
instalacija / installation	↑	↑	↑	↑
priključak za vodu / water connector (")	G1/2	G1/2	G1/2	G1/2
vreme zagrevanja na 75 °C / warm-up time of water at 75°C (min)	110	175	230	275
količina mešane vode na 40 °C / amount of available mixed water at 40°C (lit)	cca 95	cca 145	cca 193	cca 225


**KARAKTERISTIKE
FEATURES**

- 1** Univerzalni nosač
Universal bracket
- 2** Sigurnosni ventil
Safety valve
- 3** Inox izliva cev za toplu vodu
Hot water (outlet) pipe made from stainless steel
- 4** Mg anoda za zaštitu kazana od korozije
Mg anode for protection against corrosion
- 5** Poliuretanska izolacija
Polyurethane insulation

Dostupni u varijantama sa unutrašnjom i spoljašnjom regulacijom temperature vode

Available in versions with internal and external water temperature regulation



Dimenzije / Dimensions (mm)

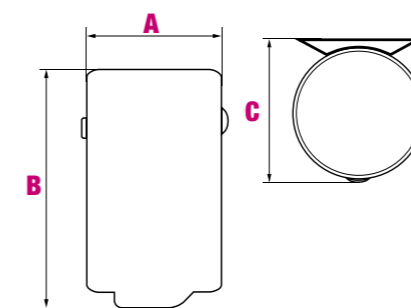
	50	80	100	120
A	454	454	454	454
B	591	811	951	1091
C	480	480	480	480

kg	50	80	100	120
Težina upakovanog proizvoda / Weight of packed product	24,5	29,4	33,3	38,3

radna zapremina / volume (lit)	50	80	100	120
snaga el. grejača / power (kW)	2	2	2	2
napon / voltage (V)	230	230	230	230
pritisak / pressure (MPa)	0,6	0,6	0,6	0,6
instalacija / installation	↑	↑	↑	↑
priključak za vodu / water connector (")	G1/2	G1/2	G1/2	G1/2
vreme zagrevanja na 75 °C / warm-up time of water at 75°C (min)	110	175	230	275
količina mešane vode na 40 °C / amount of available mixed water at 40°C (lit)	cca 95	cca 145	cca 193	cca 225


**KARAKTERISTIKE
FEATURES**

- 1** Regulacija temperature pomoću dva odvojena termostata (radni i sigurnosni)
Temperature regulation with two separate thermostats (operating and safety)
- 2** Brza i laka demontaža zaštitne kape
Easy and fast demounting of protection cap
- 3** Eliptični otvor na priborici obezbeđuje brzo i lako čišćenje kazana
Elliptical flange provides quick and easy cleaning of tank
- 4** Univerzalni nosač
Universal bracket
- 5** Sigurnosni ventil
Safety valve
- 6** Inox izliva cev za toplu vodu
Hot water (outlet) pipe made from stainless steel
- 7** Mg anoda za zaštitu kazana od korozije
Mg anode for protection against corrosion
- 8** Poliuretanska izolacija
Polyurethane insulation



Dimenzije / Dimensions (mm)

	50	80	100	120
A	454	454	454	454
B	591	811	951	1091
C	480	480	480	480

kg	50	80	100	120
Težina upakovanog proizvoda / Weight of packed product	16,8	21,2	26,5	30,2

MB PRAKTIK / MB PRACTIC

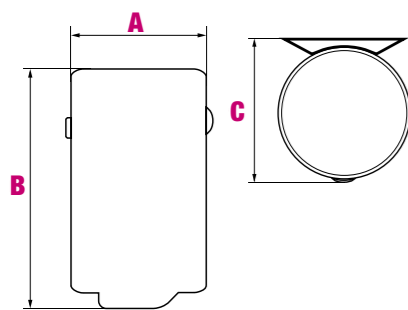
Inox kazan suvi grejač /
Stainless steel tank dry heater

radna zapremina / volume (lit)	80
snaga el. grejača / power (kW)	2
napon / voltage (V)	230
pritisak / pressure (MPa)	0,6
instalacija / installation	↑
priključak za vodu / water connector (")	G1/2
vreme zagrevanja na 75 °C / warm-up time of water at 75°C (min)	175
količina mešane vode na 40 °C / amount of available mixed water at 40°C (lit)	cca 145



KARAKTERISTIKE FEATURES

- 1 Regulacija temperature pomoću dva odvojena termostata (radni i sigurnosni)
Temperature regulation with two separate thermostats (operating and safety)
- 2 Brza i laka demontaža zaštitne kape
Easy and fast demounting of protection cap
- 3 Eliptični otvor na priрубnici obezbeđuje brzo i lako čišćenje kazana
Elliptical flange provides quick and easy cleaning of tank
- 4 Univerzalni nosač
Universal bracket
- 5 Sigurnosni ventil
Safety valve
- 6 Inox izliva cev za toplu vodu
Hot water (outlet) pipe made from stainless steel
- 7 Mg anoda za zaštitu kazana od korozije
Mg anode for protection against corrosion
- 8 Poliuretanska izolacija
Polyurethane insulation



Dimenzije / Dimensions (mm)

	80
A	454
B	811
C	480



PREDNOSTI ADVANTAGES

- Suvi grejač od 2 kW
2 kW dry heater
- Brza i laka zamena suvog grejača bez pražnjenja bojlera
Fast and easy replacement of dry heater without draining the water heater
- Manje izdabanje kamenca u toku eksploatacije
Lower allocation of limescale

kg 80
Težina upakovanog proizvoda /
Weight of packed product 21,4

MB SLIM / MB SLIM

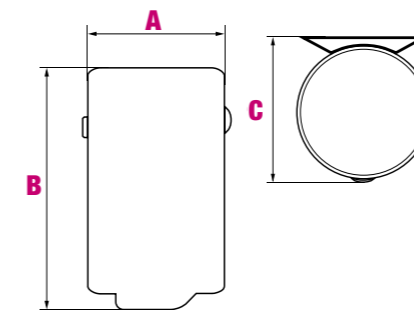
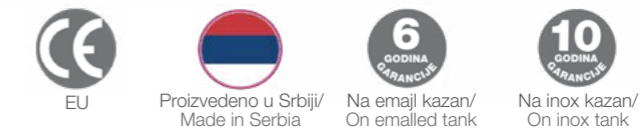
Emajlirani / Inox kazan /
Enamelled tank / Stainless steel tank

radna zapremina / volume (lit)	30	50	80
snaga el. grejača / power (kW)	2	2	2
napon / voltage (V)	230	230	230
pritisak / pressure (MPa)	0,6	0,6	0,6
instalacija / installation	↑	↑	↑
priključak za vodu / water connector (")	G1/2	G1/2	G1/2
vreme zagrevanja na 75 °C / warm-up time of water at 75°C (min)	65	115	185
količina mešane vode na 40 °C / amount of available mixed water at 40°C (lit)	cca 49	cca 95	cca 145



KARAKTERISTIKE FEATURES

- 1 Sigurnosni ventil
Safety valve
- 2 Inox izliva cev za toplu vodu
Hot water (outlet) pipe made from stainless steel
- 3 Mg anoda za zaštitu kazana od korozije
Mg anode for protection against corrosion
- 4 Poliuretanska izolacija
Polyurethane insulation



Dimenzije / Dimensions (mm)

	30	50	80
A	354	354	354
B	535	785	1135
C	390	390	390

MB SLIM bojleri, sa prečnikom od svega 35,4cm, su prilagođeni potrebama racionalnog iskorišćavanja užih prostora.

MB SLIM water heaters, with a diameter of only 35,4 cm, are adapted for the rational use of narrow spaces.

Dostupni u varijantama sa unutrašnjom i spoljašnjom regulacijom temperature vode

Available in versions with internal and external temperature regulation.

kg 30 50 80
Težina upakovanog proizvoda /
Weight of packed product 11,9/13,3 22,1/17,1 29,9/24,1

radna zapremina / volume (lit)	80	120
snaga el. grejača / power (kW)	2	2
napon / voltage (V)	230	230
pritisak / pressure (MPa)	0,6	0,6
instalacija / installation	↑	↑
priključak za vodu / water connector (")	G1/2	G1/2
priključak za grejni fluid / heating fluid joint (")	G3/4	G3/4
vreme zagrevanja na 75 °C / warm-up time of water at 75°C (min)	185	185
površina izmenjivača / heat exchanger area (m ²)	0,25	0,25
količina mešane vode na 40 °C / amount of available mixed water at 40°C (lit)	cca 145	cca 145


**KARAKTERISTIKE
FEATURES**

- 1 Ugrađen izmenjivač toplote od čeličnih / emajliranih cevi
Built-in heat exchanger made of enamelled steel tubes
- 2 Univerzalni nosač
Universal bracket
- 3 Sigurnosni ventil
Safety valve
- 4 Mg anoda za zaštitu kazana od korozije
Mg anode for protection against corrosion
- 5 Poliuretanska izolacija
Polyurethane insulation

MB Kombinovani bojleri imaju ugrađen cevni izmenjivač toplote, koji omogućava kombinovanje električnog i drugog izvora energije (konkretno sistema centralnog grejanja) za dobijanje tople vode. Naime, voda spoljašnjeg sistema prolazi kroz izmenjivač u obliku spirale, koji zagreva vodu u bojleru. Kombinovani bojleri dostupni su u 2 varijante - za levu (oznaka KL), odnosno desnu montažu (oznaka KD).

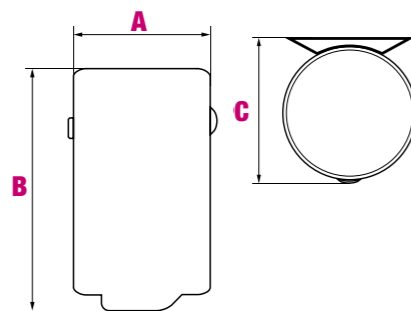
MB Comby water heaters have a built-in tubular heat exchanger which allows the combination of electric and other energy sources (in particular of the central heating system) for hot water production. The water from external system passes through the heat exchanger in the form of a spiral, which heats the water in the tank. Comby water heaters are manufactured in two versions - for the left side (marked KL) and the right side installation (marked KD).

Dostupni u varijantama sa unutrašnjom i spoljašnjom regulacijom temperature vode

Available in versions with internal and external water temperature regulation


Dimenzije / Dimensions (mm)

	80	120
A	454	454
B	811	1091
C	480	480



kg	80	120
Težina upakovanog proizvoda / Weight of packed product	35,8	44,2

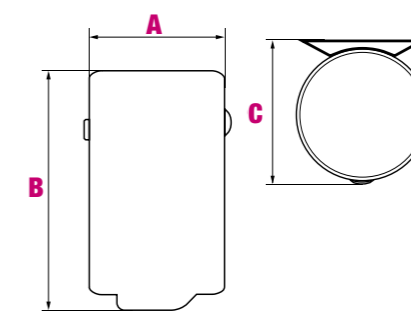
radna zapremina / volume (lit)	80	120
snaga el. grejača / power (kW)	2	2
napon / voltage (V)	230	230
pritisak / pressure (MPa)	0,6	0,6
instalacija / installation	↑	↑
priključak za vodu / water connector (")	G1/2	G1/2
priključak za grejni fluid / heating fluid joint (")	G1/2	G1/2
vreme zagrevanja na 75 °C / warm-up time of water at 75°C (min)	185	185
površina izmenjivača / heat exchanger area (m ²)	0,3	0,3
količina mešane vode na 40 °C / amount of available mixed water at 40°C (lit)	cca 145	cca 145


**KARAKTERISTIKE
FEATURES**

- 1 Ugrađen izmenjivač toplote od inoks cevi
Built-in heat exchanger made of stainless steel tubes
- 2 Regulacija temperature pomoću dva odvojena termostata (radni i sigurnosni)
Temperature regulation with two separate thermostats (operating and safety)
- 3 Brza i laka demontaža zaštitne kape
Easy and fast demounting of protection cap
- 4 Univerzalni nosač
Universal bracket
- 5 Sigurnosni ventil
Safety valve
- 6 Mg anoda za zaštitu kazana od korozije
Mg anode for protection against corrosion
- 7 Poliuretanska izolacija
Polyurethane insulation


Dimenzije / Dimensions (mm)

	80	120
A	454	454
B	811	1091
C	480	480



kg	80	120
Težina upakovanog proizvoda / Weight of packed product	27,2	34,3

MB HORIZONTALNI / MB HORIZONATL

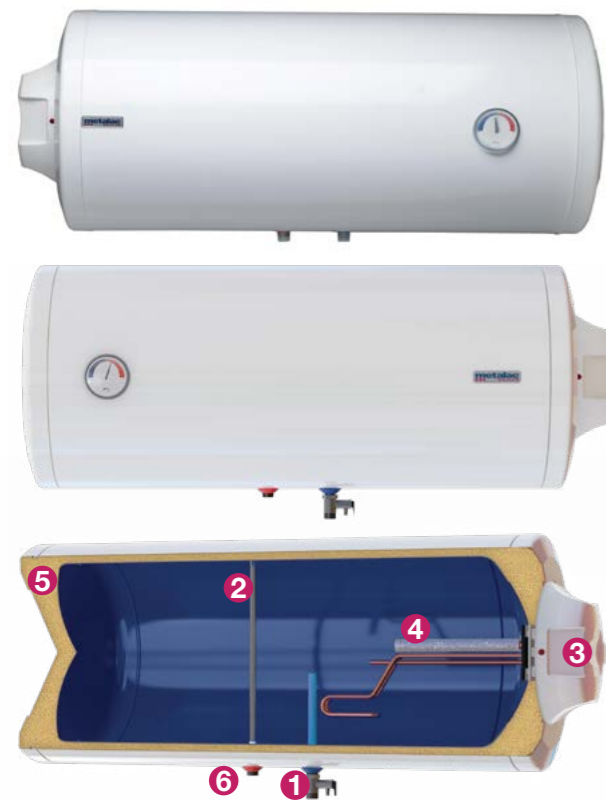
Emajlirani kazan / Enamelled tank

radna zapremina / volume (lit)	80
snaga el. grejača / power (kW)	2
napon / voltage (V)	230
pritisak / pressure (MPa)	0,6
instalacija / installation	↔
prikjučak za vodu / water connector (")	G1/2
vreme zagrevanja na 75 °C / warm-up time of water at 75°C (min)	200
količina mešane vode na 40 °C / amount of available mixed water at 40°C (lit)	cca 115

• MB HORIZONTALNI bojleri namenjeni su za horizontalnu ugradnju na zid, a pogodni su za specifične uslove montaže - u niskim prostorijama, iznad tuš kabina, odnosno u svim uslovima u kojima postoji potreba za racionalnim iskorišćenjem prostora.

U zavisnosti od položaja električnog grejača i termostata, dostupni su u dve varijante - HL (grejač i termostat sa leve strane), odnosno HD (grejač i termostat sa desne strane).

• MB HORIZONTAL water heaters are designed for horizontal wall mounting, and are suitable for particular conditions of installation - in the low areas, above the shower, or in any condition in which there is a need for rational use of space. Depending on the position of the electric heater and thermostats, they are available in two versions - HL (heater and thermostat on the left) or HD (heater and thermostat on the right).



KARAKTERISTIKE FEATURES

- 1** Sigurnosni ventili
Safety valve
- 2** Inox izlivna cev za toplu vodu
Hot water (outlet) pipe made from stainless steel
- 3** Unutrašnja regulacija temperature vode
Internal temperature regulation
- 4** Mg anoda za zaštitu kazana od korozije
Mg anode for protection against corrosion
- 5** Poliuretanska izolacija
Polyurethane insulation
- 6** Univerzalni nosač
Universal bracket



Ušteda energije/
Energy saving



Obezbeđen servis/
Service network



Brz transport/
Fast delivery



EU



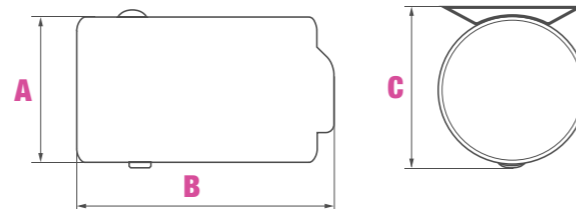
Proizvedeno u Srbiji/
Made in Serbia



6 GODINA
GARANCIJE
Na emajlirani
kazan/
On enamelled
tank

Dimenzije / Dimensions (mm)

80
A 395
B 1004
C 415



kg
Težina upakovanog proizvoda /
Weight of packed product **80**
30,2

KlassA

Bojleri sa suvim i bakarnim grejačem
Dry and copper heater

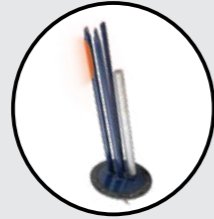


Dostupni su u varijanti sa suvim i bakarnim grejačem
Available in option with dry and copper heater



Regulacija temperature pomoću dva odvojena termostata (radni i sigurnosni)

Temperature regulation with two separate thermostats (operating and safety)



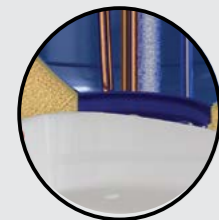
Jednostavna demontaža zaštitne kape (montiranje kape bez vijaka)

Fast and easy demounting of protection cap



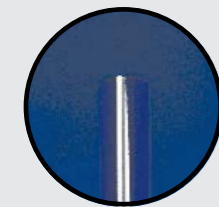
Brzo i lako povezivanje na električnu mrežu

Fast and easy connection to the power grid



Prečnik otvora na prirubnici Ø 100 mm obezbeđuje brzo i lako čišćenje kazana

With Ø 100 mm flange it is easy to clean the tank



Inox izlivna cev za toplu vodu

How water (outlet) pipe made from stainless steel



Univerzalni nosač za jednostavnu montažu bojlera

Universal bracket allows easy mounting of the water heater

PREDNOSTI BOJLERA SA SUVIM GREJAČEM ADVANTAGES OF BOILERS WITH DRY HEATERS

• Manje izdvajanje kamenca u toku eksploatacije; u slučaju kvara jednog, bojler može raditi sa drugim grejačem

• Lower allocation of limescale; with two dry heaters installed, the water heater continues to operate even if one dry heater breaks down

• Brzo i laka zamena suvog grejača bez pražnjenja bojlera

• Fast and easy replacement of dry heater without draining the water heater

• Dva suva grejača od po 1 kw

• Two dry heaters of 1 kw

• Horizontalna i vertikalna montaža

• Horizontal and vertical installation

PREDNOSTI BOJLERA SA BAKARNIM GREJAČEM ADVANTAGES OF BOILERS WITH COPPER HEATERS

• Električni uronjivi bakarni grejač

• Electric submersible copper heater

KARAKTERISTIKE KLASSA BOJLERA FEATURES OF KLASSA BOILER

- 1 Sigurnosni ventil**
Safety valve
- 2 Poliuretanska izolacija**
Polyurethane insulation
- 3 Brzo i laka demontaža zaštitne kape**
Fast and easy demounting of protection cap
- 4 Spoljašnja regulacija temperature vode**
External water temperature regulation

Suvi / bakarni grejač
Dry / copper heater

radna zapremina / volume (lit)	50	80
snaga el. grejača / power (kW)	1x2	1x2
napon / voltage (V)	230	230
pritisak / pressure (MPa)	0,6	0,6
instalacija / installation	↑	↑
priključak za vodu / water connector (")	G1/2	G1/2
vreme zagrevanja na 75 °C / warm-up time of water at 75°C (min)	110	175
količina mešane vode na 40 °C / amount of available mixed water at 40°C (lit)	cca 95	cca 145

Emajlirani kazan / Bakarni grejač



Emajlirani kazan / Suvi grejač



Ušteda energije/
Energy saving



Obezbeđen servis/
Service network



Brz transport/
Fast deliver



EU



Proizvedeno u Srbiji/
Made in Serbia



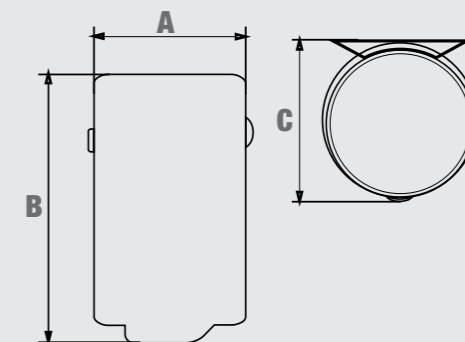
6 GODINA
GARANCIJE
Na emajl kazan/
On emajled tank



Vertikalna i horizontalna
montaža/
Vertical and horizontal
installation



Težina upakovanog proizvoda / Weight of packed product	50	80
bakarni / copper heater	23,2	29,6
suvi grejači / dry heater	24,3	30,4



Dimenzije / Dimensions (mm)

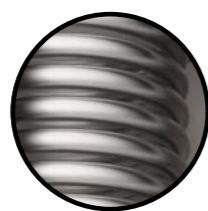
	50	80
A	454	454
B	640	860
C	480	480

BOJLERI VELIKIH LITRAŽA

LARGE CAPACITY WATER HEATERS

01. RAZLIČITI IZVORI ZAGREVANJA VODE

Zahvaljujući ugrađenim cevnim izmenjivačima toplote od prohromskih cevi, bojleri velikih litraža Metalac mogu se koristiti u kombinaciji sa solarnim panelom i/ili sistemom centralnog grejanja. Bojler se može isporučiti sa jednim, dva ili bez izmenjivača toplote.

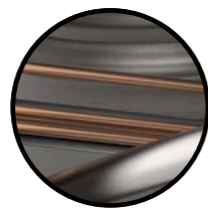


01. DIFFERENT SOURCES OF WATER HEATING

Thanks to its built in heat exchangers made from stainless steel pipes, large capacity water heater can be used in combination with solar panels and/or central heating system. The water heater can be supplied with one, two or without heat exchangers.

02. DVA ELEKTRIČNA GREJAČA

U slučaju potrebe bojleri velikih litraža Metalac dostupni su sa jednim ili dva električna grejača. Donji grejač od 4,5 kW ili 6 kW je glavni, dok se gornji grejač od 2 kW koristi za potrebe dogrevanja vode.



02. TWO ELECTRIC HEATERS

Large capacity water heaters Metalac are available with one or two electric heaters. The lower heater (4,5 kW or 6 kW) is the main one, while the upper (2 kW) heater is used with other heating sources.

03. INOX KAZAN

Bojleri velikih litraža izrađuju se od nerđajućeg čelika (inox), koji pruža maksimalnu zaštitu od korozije.

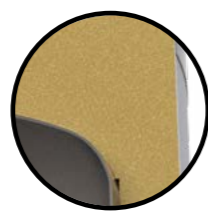


03. STAINLESS STEEL TANK

Stainless steel tank provides maximum protection against corrosion.

04. POLIURETANSKA IZOLACIJA

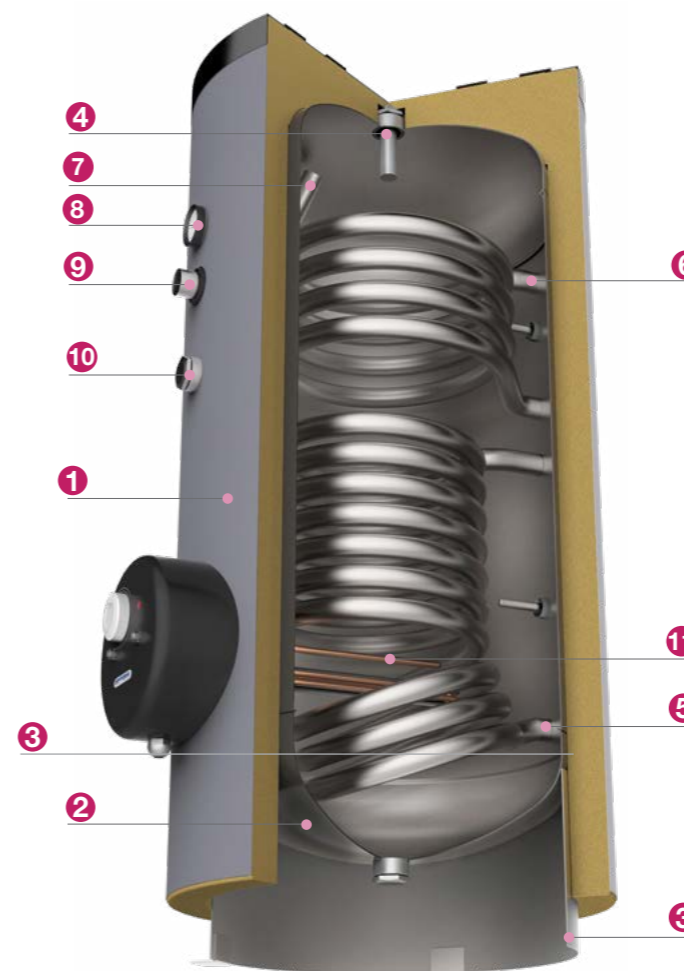
Bojleri velikih litraža Metalac imaju izolaciju od meke poliuretanske pene, debljine 50 mm. Termoizolaciona svojstva poliuretanske pene obezbeđuju odloženo korišćenje zagrejene vode u dužem vremenskom periodu. Pored komfora u korišćenju tople vode, bojleri sa ovakvom vrstom izolacije krajnjem korisniku obezbeđuju koristi u pogledu uštede električne energije.



04. POLYURETHANE INSULATION

Large capacity water heaters Metalac have insulation of high quality, environmentally friendly polyurethane foam, 50 mm thick. Insulating properties of polyurethane foam provide delayed use of heated water for a longer period of time, as well as benefits in terms of energy savings.

KOMPONENTE / COMPONENTS



KLJUČNE KARAKTERISTIKE MAIN FEATURES

- 1 Omotač kazana / Outer shell
- 2 Inox kazan / Stainless steel tank
- 3 Podnožje kazana / Tank stand
- 4 Mg anoda za zaštitu kazana od korozije / Mg anode for protection against corrosion
- 5 Donji izmenjivač / Lower heat exchanger
- 6 Gornji izmenjivač / Upper heat exchanger
- 7 Cev za hladnu i toplu vodu / Cold and hot water pipe
- 8 Termopokazivač / Thermometer
- 9 Navojni priključak G 1" / Threaded connection G 1"
- 10 Navojni priključak G 5/4" / Threaded connection G 5/4"
- 11 Bakarni grejač / Copper heater



Ušteda energije/
Energy saving



Obezbeđen servis/
Service network



Brz transport/
Fast delivery



EU



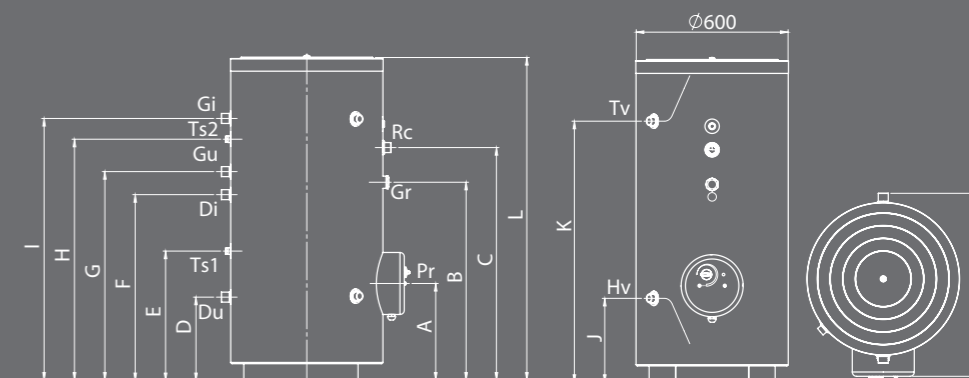
Proizvedeno u Srbiji/
Made in Serbia



10 GODINA
GARANCIJA
Na inox kazan/
On inox tank

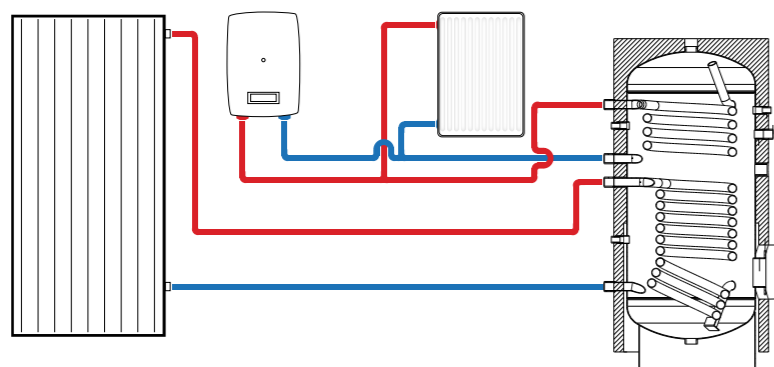
zapremina / volume (lit)	200	300
pritisak / pressure (MPa)	0,6	0,6
snaga el. grejača / power (kw)	4,5 / 6,0	4,5 / 6,0
vreme zagrevanja vode na 75°C / 6 kW / warm-up time of water at 75°C / 6 kW (min)	120	180
radni napon / voltage (V)	230	230
priključak grejača za dogrevanje vode / upper heater joint (")	5/4	5/4
priključak grejača za zagrevanje / lower heater joint (")	6/4	6/4
priključci za vodu / water connectors (")	G1	G1
priključci za recirkulaciju / recirculation connectors (")	G1	G1
priključak izmenjivača / heat exchanger joint (")	G1	G1
površina gornjeg izmenjivača / upper heat exchanger area (m²)	0,55	0,55
površina donjeg izmenjivača / lower heat exchanger area (m²)	1,1	1,1
debljina izolacije / insulation thickness (mm)	50	50

Model	200 lit.	300 lit.
A (mm)	362	362
B (mm)	762	1162
C (mm)	899	1301
D (mm)	310	310
E (mm)	492	492
F (mm)	715	715
G (mm)	804	1204
H (mm)	932	1332
I (mm)	1014	1441
J (mm)	312	312
K (mm)	1012	1522
L (mm)	1260	1770



Naziv / Position	Veličina / Size	Navoj / Thread	Namena / Purpose
Gr	G5/4"	Unutrašnji / Inner	Dodatni grejač / Additional heater
Rc	G1"	Unutrašnji / Inner	Recirkulacija / Recirculation
Du	G1"	Unutrašnji / Inner	Donji izmenjivač - ulaz / Lower heat exchanger - inlet
Ts1	ø10	/	Donja termosonda / Lower thermal probe
Di	G1"	Unutrašnji / Inner	Donji izmenjivač - izlaz / Lower heat exchanger - outlet
Ts2	ø10	/	Gornja termosonda / Upper thermal probe
Gu	G1"	Unutrašnji / Inner	Gornji izmenjivač - ulaz / Upper heat exchanger - inlet
Gi	G1"	Unutrašnji / Inner	Gornji izmenjivač - izlaz / Upper heat exchanger - outlet
Hv	G1"	Spoljni / Outer	Hladna sanitarna voda / Cold water
Tv	G1"	Spoljni / Outer	Topla sanitarna voda / Hot water

RAZLIČITI IZVORI ZAGREVANJA VODE / DIFFERENT SOURCES OF WATER HEATING



Ugrađeni cevni izmenjivači toplote od prohrumskih cevi omogućuju kombinovanje različitih izvora zagrevanja vode (solarni kolektor, sistem centralnog grejanja).

Built in stainless steel heat exchangers allow combining of different sources of water heating (solar collector, central heating system).



Bojleri velikih litraža Metalac dostupni su u zapreminama od 200 i 300 litara. U zavisnosti od potreba mogu se isporučiti sa jednim, dva ili bez izmenjivača toplote, odnosno u varijantama sa ili bez električnih grejača.

Large capacity water heaters Metalac are available in volumes of 200 or 300 liters. They can be supplied with one, two or without heat exchangers, as well as with or without electric heaters.

MB MINI
MB MINI



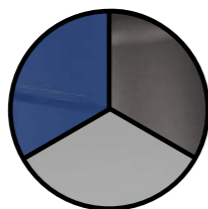
MALOLITRAŽNI BOJLERI / SMALL CAPACITY WATER HEATERS

Malolitražni bojleri pogodni su za brzo zagrevanje vode. Pretežno se ugrađuju u kuhinjama, odnosno na svim mestima gde je neophodna manja količina tople vode.

Small capacity water heaters are suitable for heating water quickly. They are mostly installed in kitchens, or any place where a small amount of hot water is needed.

01. KAZAN

MB MINI bojleri izrađuju se sa polipropilenskim, emajliranim ili inox kazanom. Osobine korišćenih materijala su takve da obezbeđuju fiziološku ispravnost vode, koja se može koristiti za pripremanje hrane.

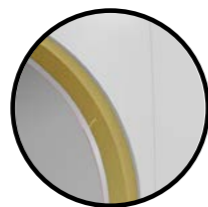


01. TANK

MB MINI water heaters are made with polypropylene, enamel or stainless steel tank. The quality of the used materials guarantees that the water from the tank is physiologically correct and that it can be used for food preparation.

02. IZOLACIJA

Kazan je izolovan kvalitetnom polistirenskom toplotnom izolacijom, koja obezbeđuje minimalne toplotne gubitke i uštedu u potrošnji električne energije.



02. INSULATION

The tank is insulated with high quality polystyrene thermal insulation, which ensures minimal heat loss and energy savings.

03. UGRADNJA

MB MINI bojleri su dostupni u dve varijante - nadgradna (montaža iznad kuhinjskog pulta) i podgradna (montaža ispod kuhinjskog pulta).



03. INSTALLATION

MB MINI water heaters are available in two versions - for mounting above or under the kitchen counter.

04. VERZIJE

Postoje dva modela MB mini bojlera.

Bespritisni bojleri su konstruisani kao otvoren sistem i predviđeni su za rad u kombinaciji sa niskopritisnom slavnom za mešanje vode. Podgradna varijanta obavezno se ugrađuje u kombinaciji sa slavnom sa tri cevi.



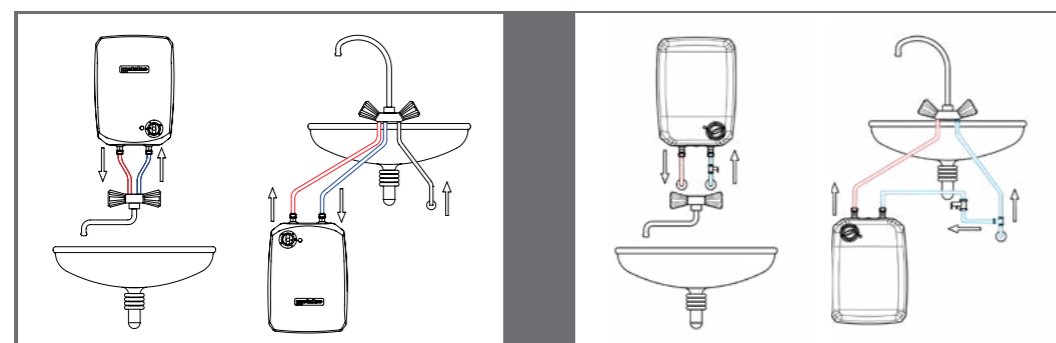
04. VERSIONS

MB MINI water heaters come in two versions.

Flow-through models are constructed as an open system and are designed to work in conjunction with a low-pressure water mixing faucet. Under-the-counter version must be installed on faucet with three pipes.

Under-pressure models are installed with safety valve and allow the use of hot water on several locations.

UGRADNJA / INSTALLATION



BESPRITISAN SISTEM /
FLOW-THROUGH (OPEN) SYSTEM

PRITISAN SISTEM /
UNDER-PRESSURE SYSTEM

MB MINI/ MB MINI

BESPRITISNI / FLOW-THROUGH

Polipropilenski kazan / Polypropylene tank

radna zapremina / volume (lit)	5	10
snaga el. grejača / power (kW)	2	2
napon / voltage (V)	230	230
pritisak / pressure (MPa)	0	0
instalacija / installation	↑↓	↑↓
priključak za vodu / water connector (")	G3/8	G3/8
vreme zagrevanja na 75 °C / warm-up time of water at 75°C (min)	11	22
količina mešane vode na 40 °C / amount of available mixed water at 40°C (lit)	cca 9	cca 17

MB Mini bojleri sa polipropilenskim kazanom dostupni su u zapreminama od 5 i 10 litara. Mogu se montirati iznad kuhinjskog pulta (nadgradna varijanta) ili ispod (podgradna varijanta).

MB Mini water heaters with polypropylene tank are available with volumes of 5 and 10 litres. They can be mounted above or below the kitchen counter.

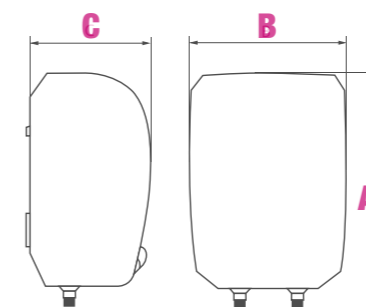
Bespritisni bojleri su konstruisani kao otvoren sistem i predviđeni su za rad u kombinaciji sa niskopritisnom slavnom za mešanje vode. Podgradna varijanta obavezno se ugrađuje u kombinaciji sa slavnom sa tri cevi.

Flow-through models are constructed as an open system and are designed to work in conjunction with a low-pressure water mixing faucet. Under-the-counter version must be installed on faucet with three pipes.



KARAKTERISTIKE FEATURES

- 1 Poliuretanska izolacija
Polyurethane insulation
- 2 Nadgradna varijanta
It is mounted above
- 3 Podgradna varijanta
It is mounted below
- 4 Spoljašnja regulacija
temperature vode
External water
temperature regulation



Dimenzije /
Dimensions (mm)

	5	10
A	406	480
B	274	326
C	214	230

kg	5	10
Težina upakovanog proizvoda / Weight of packed product	3,5	4,7

Emajlirani / Inox kazan / Enamelled tank / Stainless steel tank

radna zapremina / volume (lit)	8
snaga el. grejača / power (kW)	1,5
napon / voltage (V)	230
pritisak / pressure (MPa)	0
instalacija / installation	↑↓
priključak za vodu / water connector (")	G3/8
vreme zagrevanja na 75 °C / warm-up time of water at 75°C (min)	23
količina mešane vode na 40 °C / amount of available mixed water at 40°C (lit)	cca 14

MB Mini bojleri sa emajliranim i inox kazanom imaju zapreminu od 8 litara. Mogu se montirati iznad kuhinjskog pulta (nadgradna varijanta) ili ispod (podgradna varijanta).

Voda iz kazana je fiziološki ispravna i može se koristiti za pripremanje hrane. Bespritisni bojleri su konstruisani kao otvoren sistem i predviđeni su za rad u kombinaciji sa niskopritisnom slavnom za mešanje vode. Podgradna varijanta obavezno se ugrađuje u kombinaciji sa slavnom sa tri cevi.

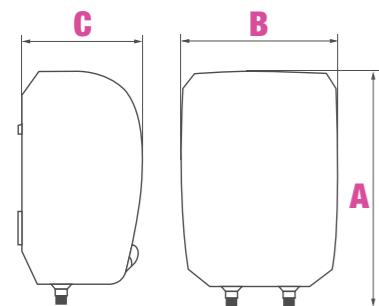
MB Mini water heaters with enamelled or stainless steel tank have a volume of 8 litres. They can be mounted above or below the kitchen counter.

Enamelled or stainless steel tank provide physiological correctness of water, which can be used for food preparation. The tank is insulated with quality polystyrene thermal insulation. Flow-through models are constructed as an open system and are designed to work in conjunction with a low-pressure water mixing faucet. Under-the-counter version must be installed on faucet with three pipes.



KARAKTERISTIKE FEATURES

- 1** Poliuretanska izolacija
Polyurethane insulation
- 2** Nadgradna varijanta
Can be mounted above the kitchen counter
- 3** Podgradna varijanta
Can be mounted below the kitchen counter
- 4** Spoljašnja regulacija temperature vode
External water temperature regulation



Dimenzije / Dimensions (mm)

8
A 396
B 274
C 266

kg	Težina upakovanog proizvoda / Weight of packed product	8
	Emajlirani kazan / Enamelled	8,5
	Inox kazan / Stainless steel tank	5,2

Pritisni emajlirani i inox kazan/ Under-pressure enamelled and stainless steel tank

radna zapremina / volume (lit)	8
snaga el. grejača / power (kW)	1,5
napon / voltage (V)	230
pritisak / pressure (MPa)	0,6
instalacija / installation	↑↓
priključak za vodu / water connector (")	G3/8
vreme zagrevanja na 75 °C / warm-up time of water at 75°C (min)	23
količina mešane vode na 40 °C / amount of available mixed water at 40°C (lit)	cca 14

MB Mini bojleri sa emajliranim i inox kazanom imaju zapreminu od 8 litara. Mogu se montirati iznad kuhinjskog pulta (nadgradna varijanta) ili ispod (podgradna varijanta).

Voda iz kazana je fiziološki ispravna i može se koristiti za pripremanje hrane. Pritisni bojleri rade pod pritiskom (zatvoren sistem) i pružaju mogućnost korišćenja vode na više potrošačkih mesta. Obavezno se instaliraju sa sigurnosnim ventilom.

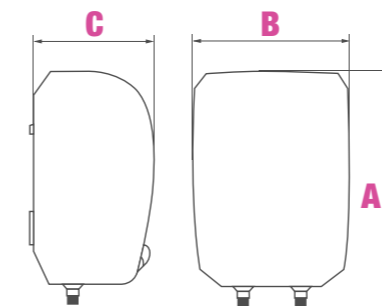
MB Mini water heaters with enamelled or stainless steel tank have a volume of 8 litres. They can be mounted above or below the kitchen counter.

Enamelled or stainless steel tank provide physiological correctness of water, which can be used for food preparation. The tank is insulated with quality polystyrene thermal insulation. Under-pressure models are installed with safety valve and allow the use of hot water on several locations.



KARAKTERISTIKE FEATURES

- 1** Poliuretanska izolacija
Polyurethane insulation
- 2** Nadgradna varijanta
Can be mounted above the kitchen counter
- 3** Podgradna varijanta
Can be mounted below the kitchen counter
- 4** Spoljašnja regulacija temperature vode
External water temperature regulation
- 5** Sigurnosni ventil
Safety valve 0,9 MPa



Dimenzije / Dimensions (mm)

8
A 396
B 274
C 266

kg	Težina upakovanog proizvoda / Weight of packed product	8
	Emajlirani kazan / Enamelled	8,5
	Inox kazan / Stainless steel tank	5,2

HIDROFORSKE POSUDE HYDROPHORE TANKS

KARAKTERISTIKE

Hidroforaska posuda je uređaj pod pritiskom koji se upotrebljava za snabdevanje pijaćom ili tehničkom vodom u situacijama kada je pritisak u cevovodu nizak. Primenjuju se u hidroforskim postrojenjima u širokoj upotrebi (u stambenim zgradama, individualnim domaćinstvima, industrijskim postrojenjima, ugostiteljskim objektima i sl).

FEATURES

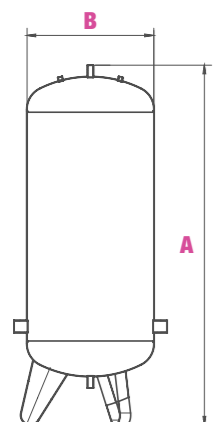
Hydrophore tank is a pressurized vessel that is used for drinking or technical water supply in situations when the pressure in the pipeline is low. They are used in hydrophore systems in wide use (in residential buildings, individual households, industrial plants, restaurants etc).



zapremina / volume (lit):	90	120	150
materijal / material:	inox	inox	inox
priključak za manometar / pressure gauge joint ("):	1/4	1/4	1/4
priključak za sklopku / switch joint ("):	1/2	1/2	1/2
priključci za ispušt / connections for draining ("):	1/2	1/2	1/2
ulaz - izlaz vode / water inlet - outlet ("):	5/4	5/4	5/4
maksimalni pritisak / maximum pressure (mpa):	0,6	0,6	0,6
odzračni ventil / vent valve:	M8x1	M8x1	M8x1
bruto težina / gross weight (kg):	13	15,6	18,3

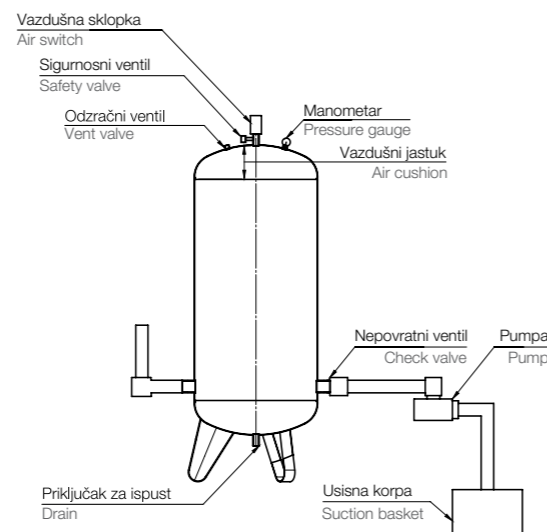
Hidroforaska posuda se izrađuju prema standardu SRPS EN 13445. Materijal posude je X5CrNi18-10 (1.4301), koji je fiziološki neutralan i obezbeđuje očuvanje kvaliteta vode sa izvora napajanja, pa se preporučuje za upotrebu kod akumulacije vode za pripremanje hrane i pića.

Metalac hydrophore tanks are manufactured in accordance with SRPS EN 13445 standard. The material used is X5CrNi18-10 (1.4301), which is physiologically neutral and ensures the preservation of water quality, and so it is safe to use for drinking water supply.



Dimenzije / Dimensions (mm)

	90	120	150
A	960	1170	1390
B	415	415	415



SLAVINE / FAUCETS



ZDRAVSTVENA ISPRAVNOST NA PRVOM MESTU

U sastavu tela slavina AQUABI bakar učestvuje sa oko 60% čime se obezbeđuje visok kvalitet legure. Zakonom dozvoljen sadržaj olova u leguri je 3%, a kod slavina AQUABI sadržaj olova ne prelazi 2%.

Zdravstvenu ispravnost slavina AQUABI garantuju rezultati fizičko hemijskih ispitivanja sprovedeni u akreditovanim laboratorijama u Srbiji. Utvrđene vrednosti migracija teških metala daleko su ispod

referentnih i zakonom propisanih vrednosti, tako da su slavine AQUABI potpuno u skladu sa zahtevima Pravilnika o uslovima u pogledu zdravstvene ispravnosti predmeta opšte upotrebe koji se mogu stavljati u promet.

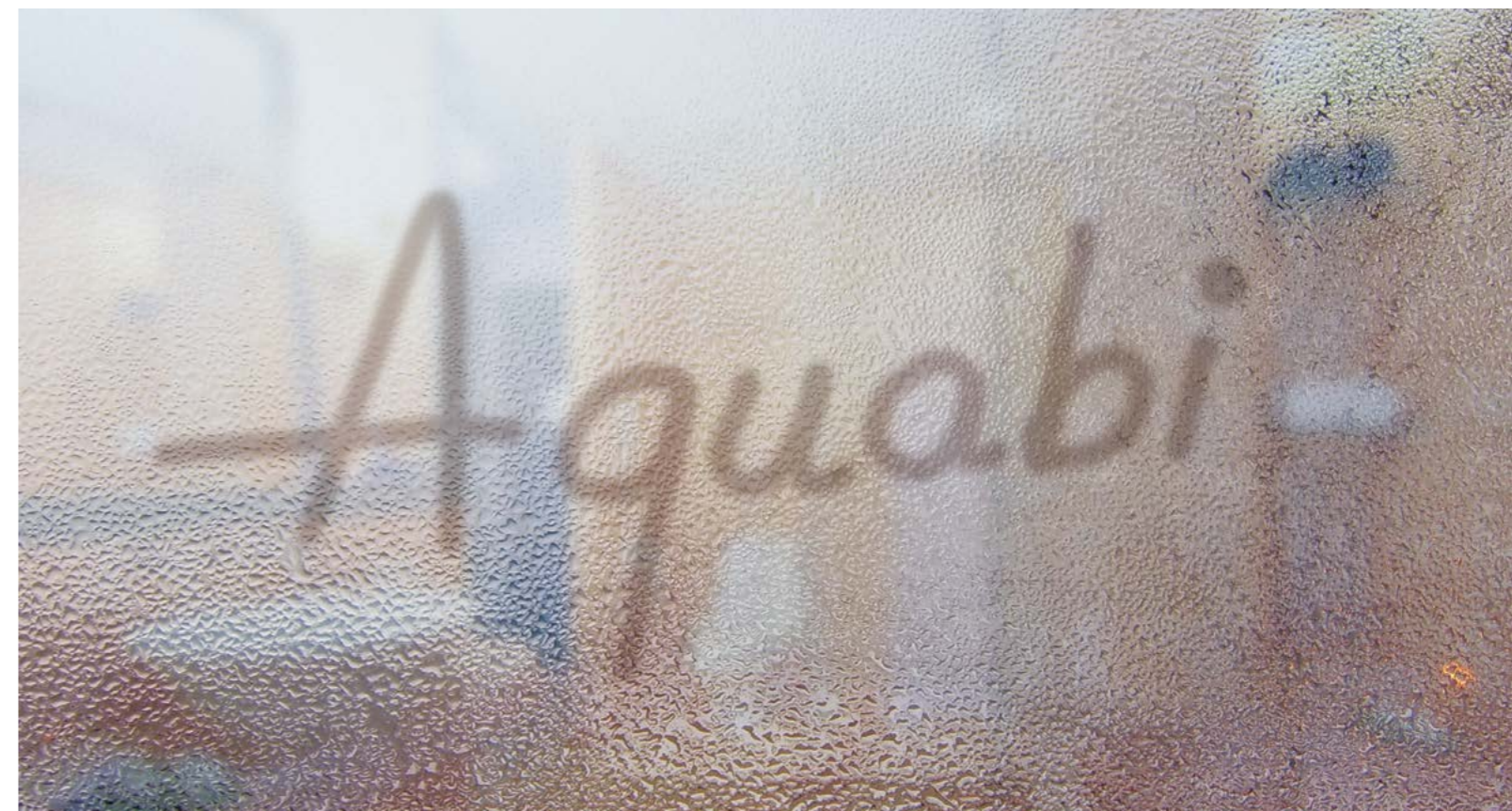
U slavine AQUABI ugrađuju se SEDAL keramički mešači, koji obezbeđuju precizno mešanje vode i dugovečnost proizvoda.

HEALTH SAFETY COMES FIRST

In Aquabi faucets copper accounts for about 60% of composition, which ensures high quality alloy. While the regulations allow lead content in the alloy up to 3%, lead content in Aquabi faucets does not exceed 2%. Health safety of the Aquabi faucets are guaranteed by the results of physical and chemical

tests conducted in accredited laboratories in Serbia. The recorded values of migration of heavy metals are far below the values defined by regulations.

Aquabi faucets have SEDAL ceramic mixers, which provide precise water mixing and product longevity.



ODRŽAVANJE PROIZVODA

Da bi površina slavine bila sjajna, molimo da je redovno čistite. Tokom upotrebe na površini slavine pojavljuju se mrlje, koje nastaju od vodenog kamenca.

Čišćenje slavine vrši se vodom i mekanom krpom, a po potrebi mogu se koristiti rastvor vode i sirćeta (2:1) ili blaga sredstva za čišćenje. Posle čišćenja potrebno je isprati sredstvo za čišćenje čistom vodom i osušiti slavinu mekanom krpom.



USE AND CARE INSTRUCTIONS

In order to keep the surface of the faucet shiny, please clean it regularly. During the use, stains from the limescale can appear on the surface of the faucet.

Cleaning is done with water and a soft cloth, and if necessary a solution of water and vinegar (2: 1) or a mild detergent can be used. After cleaning, it is necessary to rinse the faucet with clean water and dry it with a soft cloth.

! Nemojte koristiti abrazivna sredstva ili kiseline koje mogu oštetiti hromiranu površinu slavine.

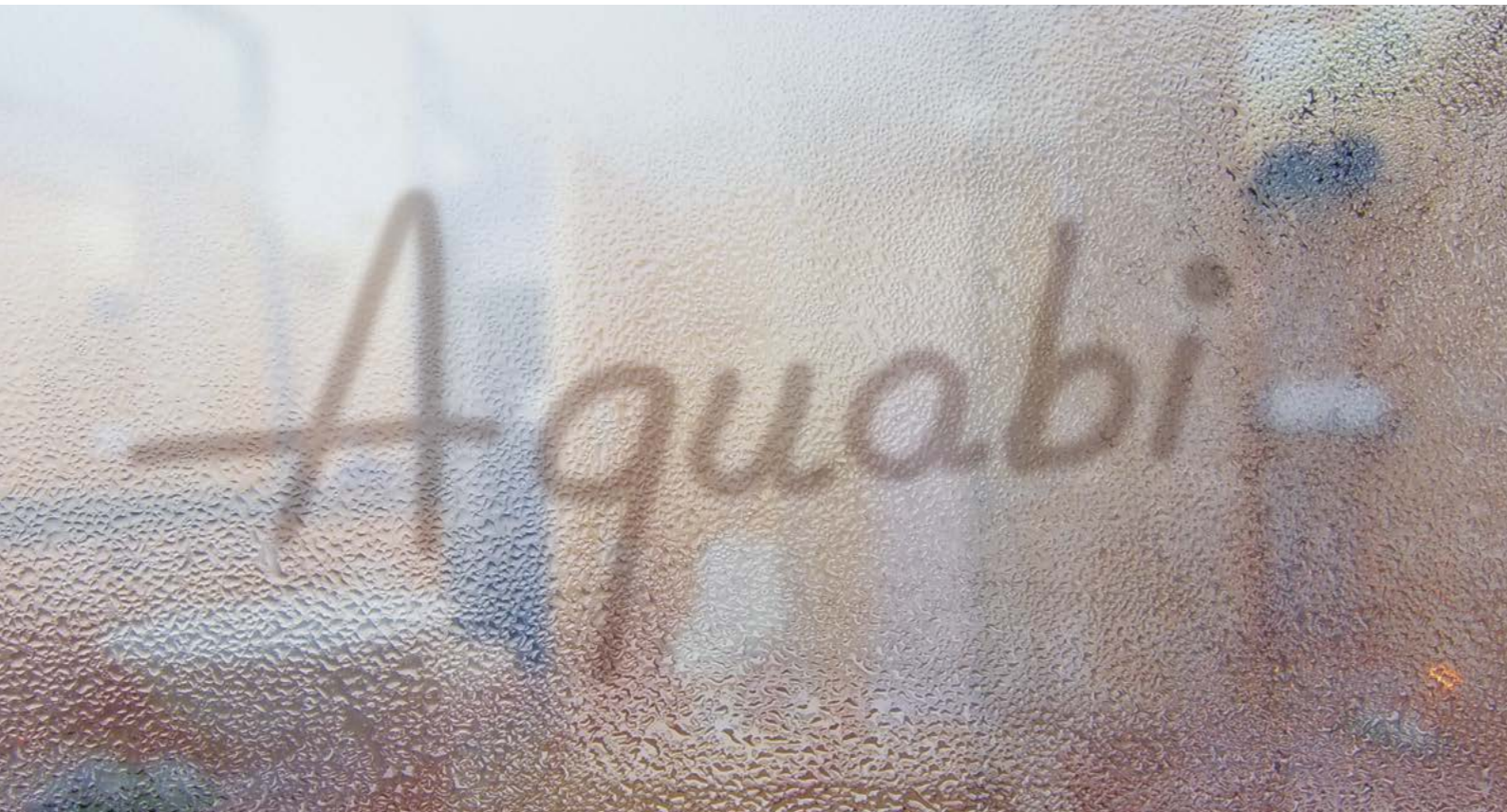
! Do not use abrasives or acids that can damage the chrome plated surface of the faucet.

Ukoliko se na perlatoru zadrži kamenac, potrebno je odvrnuti ga, dobro isprati pod jakim mlazom vode i ostaviti ga nekoliko sati u rastvoru vode i sirćeta, kako bi se odstranio kamenac. Nakon određenog vremena perlator po potrebi možete zameniti novim.

If the aerator is covered by the limescale, it is necessary to unscrew it, rinse it under a jet of water and leave it for several hours in a solution of water and vinegar to remove limescale. After a while the aerator can be replaced with a new one.

Vodeni kamenac na ručici tuša takođe ćete najjednostavnije odstraniti ukoliko je ostavite u rastvoru vode i sirćeta i nakon nekoliko časova isperete tekućom vodom.

Limescale on the shower arm will also be easily removed if you leave it in a solution of water and vinegar, and after a few hours rinse it under the running water.



ECO

SLAVINE ZA KUPATILO / BATHROOM FAUCETS



Slavina za lavabo / Washbasin faucet



Slavina za bide / Bidet faucet



Slavina za tuš kadu / Shower faucet



Slavina za kadu / Bathtub faucet

SLAVINE ZA KUHINJU / KITCHEN FAUCETS



Slavina za sudoperu stojeća (labud) / Kitchen faucet (swan)



Slavina za sudoperu stojeća (dugačka lula) / Kitchen faucet (long pipe)



Slavina za sudoperu stojeća / Kitchen faucet



Slavina za sudoperu zidna / Kitchen faucet - wall mounted

Slavine sa dva priključka namenjene su za bojlere visokog pritiska

Faucets with two connectors are installed with high pressure water heaters

EASY

SLAVINE ZA KUPATILO / BATHROOM FAUCETS

Slavina za lavabo / Washbasin faucet



Slavina za kadu / Bathtub faucet



SIMPLE

SLAVINE ZA KUPATILO / BATHROOM FAUCETS



Slavina za lavabo / Washbasin faucets



Slavina za kadu / Bathtub faucet

SLAVINE ZA KUHINJU / KITCHEN FAUCETS



Slavina za sudoperu stojeća LABUD / Kitchen faucet SWAN



Slavina za sudoperu dugačka lula, 3 cevi / Kitchen faucet (long pipe)



Slavina za sudoperu zidna (tri otvora) / Kitchen faucet - wall mounted (three pipes)

Slavine sa tri cevi koriste se uz bespritisne malolitražne bojlere niske i visoke montaže (uz sve Metalac malolitražne bojlere)

Faucets with three connectors are used with small capacity water heaters for mounting both above or under the counter (with all Metalac small capacity water heaters)

PLATZ

SLAVINE ZA KUPATILO / BATHROOM FAUCETS



Slavina za lavabo slap / Washbasin faucet SLAP



Slavina za lavabo / Washbasin faucet



Slavina za bide / Bidet faucet



Slavina za kadu / Bathtub faucet



Slavina za tuš kadu / Shower faucet

PERFECT

SLAVINE ZA KUPATILO / BATHROOM FAUCETS



Slavina za lavabo / Washbasin faucet



Slavina za kadu / Bathtub faucet



Slavina za sudoperu stojeća (dugačka lula) / Kitchen faucet with long pipe

SLAVINE ZA KUHINJU / KITCHEN FAUCETS



Slavina za sudoperu / Kitchen faucet

SLAVINE ZA KUHINJU / KITCHEN FAUCETS

metalac
BOJLER

METALAC BOJLER

Ljubićska 1
32300 Gornji Milanovac
SRBIJA / SERBIA

+381 (0)32 40 40 40
+381 (0)32 717 432
+381 (0)32 770 498
bojler@metalac.com
www.metalacbojler.com

metalac
INKO

METALAC INKO

Kneza Aleksandra 212
32300 Gornji Milanovac
SRBIJA / SERBIA

+381 (0)32 40 40 40
+381 (0)32 770 341, 770 407
+381 (0)32 725 211
inko@metalac.com, sudopere@metalac.com
www.metalacinko.com

Izdavač / Publisher: Metalac bojler d.o.o. & Metalac inko d.o.o.

Za izdavača / For Publisher: Zoran Ognjanović, Vladan Stojković

Redakcioni odbor / Editorial Board: Dejan Vesković, Darko Ponjavić

Dizajn i priprema / Design and Prepress: Design studio Metalac, Antonije Dimitrijević

Fotografije / Photos: Arhiva Metalac / Metalac archives

Štampa / Print: Grafoprint, Gornji Milanovac

Tiraž / Circulation: 1000

IZDANJE VI / EDITION VI

Gornji Milanovac, mart / March 2019.

